

WC Element

with empty conduit for
WASHLET® water supply,
prepared for Auto Flush Motor



DE: WC Element mit Leerrohr für WASHLET®, Wasseranschluss vorbereitet für Spülmotor für automatische Spülung
FR: Bâti-support pour WC avec tuyau vide pour raccordement du WASHLET® à l'eau préparé pour moteur de chasse d'eau pour chasse automatique
IT: Elemento per Vaso con tubo cavo da installazione per l'allaccio dell'acqua del WASHLET® predisposto per un motore per l'azionamento del risciacquo automatico
NL: WC-element met mantelbuis voor WASHLET® wateraansluiting voorbereid voor spoelmotor voor automatische spoeling

PRODUCT DETAILS

Product code	WH183ET
GTIN (EAN)	40 50663 09691 5
Size	w:500xd:120xh:1120 (mm)
Weight	15,7 kg
Colour	Blue
Material	Steel, resin
Technology	Auto Flush (optional), 3 / 4,5 L preset

TO BE COMBINED WITH

Push Plate	MB175M#SS (brushed stainless steel)
	MB175M#B (matte black)
	MB175M#W (matte white)
Push Plate for NEOREST® WX	MB177EM#S (brushed aluminium)
	MB177EM#B (matte black)
	MB177EM#W (matte white)

For WASHLET® use Connecting Set for WASHLET® SP10695UN

For NEOREST® WX1 use HM183

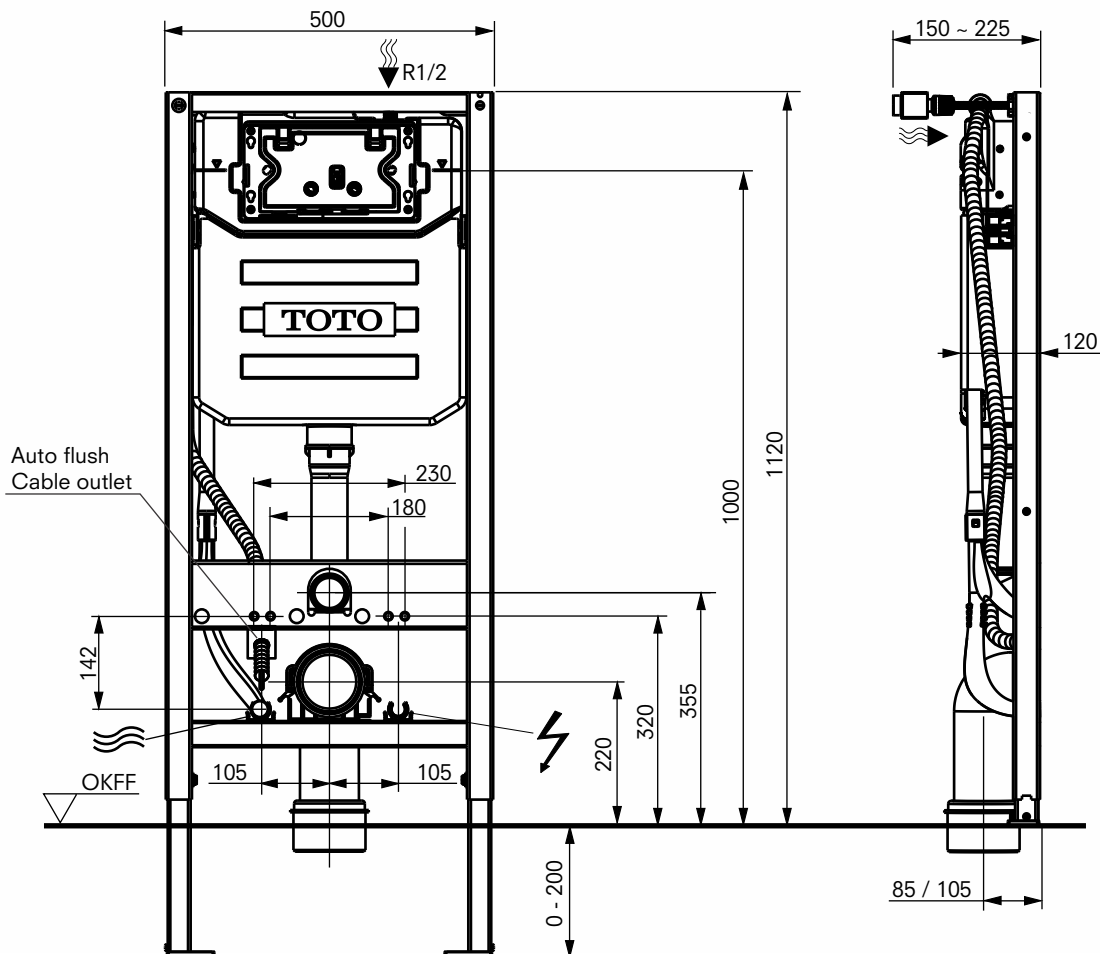
Connecting Set for NEOREST WX

Auto Flush Motor HM184

(requires WASHLET® with 'auto flush')

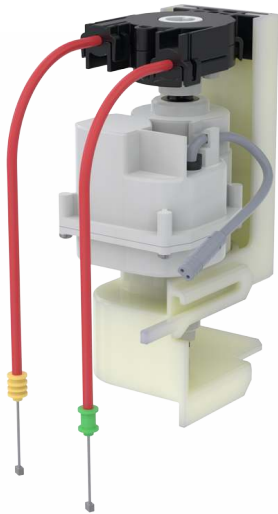
Weights and measurements shown may be subject to small variations or are indicative.

TECHNICAL DRAWINGS



WASHLET®

Auto Flush Motor incl. connection cable to WASHLET®



DE: Spülmotor für automatische Spülung inkl. Verbindungskabel zum WASHLET®
FR: Moteur de chasse d'eau pour chasse automatique câble de raccordement au WASHLET® inclus
IT: Motore per l'azionamento del risciacquo automatico incluso cavo di collegamento al WASHLET®
NL: Spoelmotor voor automatische spoeling incl. verbindingkabel naar de WASHLET®

PRODUCT DETAILS

Product code	HM184
GTIN (EAN)	40 50663 09692 2
Size	w:59xd:101xh:154 (mm)
Weight	0,5 kg
Colour	Metall / Plastic
Technologies	Auto Flush - Requires WASHLET® with Auto Flush function

IN COMBINATION WITH

WC Element with empty conduit for WASHLET® water supply, prepared for Auto Flush Motor	WH182ET (EU) WH183ET (UK)
Concealed Cistern	WH183ETNF

Weights and measurements shown may be subject to small variations or are indicative.

TECHNICAL DRAWINGS

