

# PRODUCT DATA SHEET

## BELLA 500 COUNTER TOP

Product Code: BELLA-COUNTERTOP-500-GWTE



**SCUDO**  
BEAUTIFUL BATHROOMS

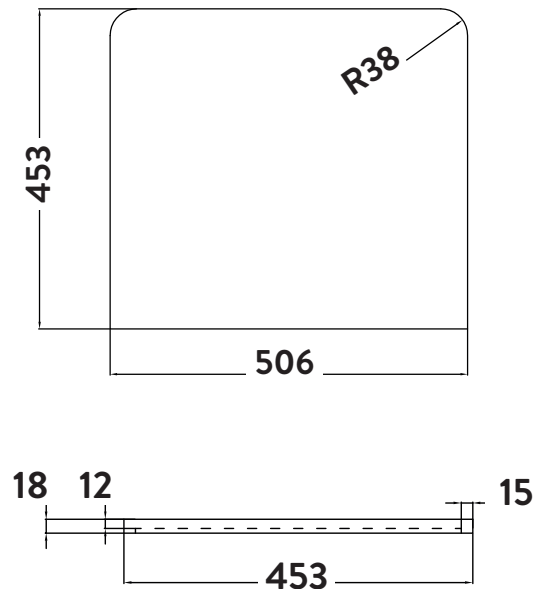
0330 124 7290

sales@scudo.co.uk - www.scudo.co.uk

Scudo is the trading name of Harrison Bathrooms Ltd. Whilst we endeavour to ensure that the product information is accurate we accept no liability for any information given. All images are for illustration purposes only. Product images and specification are subject to change. Measurement are in millimetres and are nominal.

Product Name	BELLA-COUNTERTOP-500-GWTE
Product Description	Bella 500mm 18mm Solid Surface Countertop
<b>Product Transportation</b>	
Barcode	5060713721468
Country of origin	CH
Commodity code	6810990000
<b>Product Measurements</b>	
Product Weight (KG)	5
Product Width (mm)	506
Product Height (mm)	18
Product Depth (mm)	453
Product Length (mm)	
<b>Primary Packed Measurements</b>	
Packaged Weight	6
Packed Length	555
Packed Width	490
Packed Height	65
<b>Packaging Weights</b>	
Card (kg)	1.1
Paper (kg)	0
Wood (kg)	0
Plastic (kg)	0.004
Compliance DOP	N/a

<b>General Information</b>	
Construction Material	Polymarble
Installation type	Furniture mounted
Colour / Finish	White
<b>Basin Attributes</b>	
Basin Type	0
Number of Tap Holes	0
Compatible Tap codes	0
Overflow	0
Recommended waste type	0
Compatible Waste Part Code	0
Inner Bowl Width (mm)	0
Inner Bowl Length (mm)	0
Inner Bowl Depth (mm)	0



**Dimensions**  
(measurements in mm)



**LIFETIME GUARANTEE**

We are confident in our products and we want our customer to be, we proudly give a lifetime guarantee on our taps and showers, further details can be found on our website.

# PRODUCT DATA SHEET

## Bella 500 Wall Cabinet Davos Oak

Product Code: BELLA-500WALLCAB-DAVOS



**SCUDO**  
BEAUTIFUL BATHROOMS

0330 124 7290

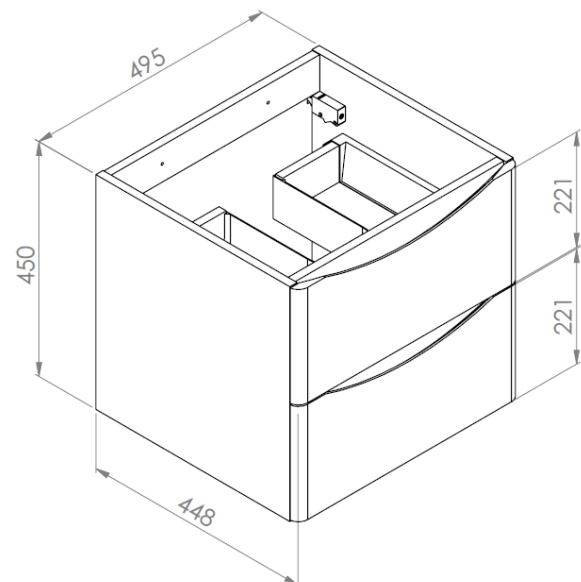
sales@scudo.co.uk [www.scudo.co.uk](http://www.scudo.co.uk)

Scudo is the trading name of Harrison Bathrooms Ltd. Whilst we endeavor to ensure that the product information is accurate, we accept no liability for any information given. All images are for illustration purposes only. Product images and specification are subject to change. Measurements are in millimeters and are nominal.

Product Name	BELLA-500WALLCAB-DAVOS
Product Description	Bella 500 Wall Cabinet Davos Oak
<b>Product Transportation</b>	
Barcode	5060991240170
Country of origin	China
Commodity code	9403609000
<b>Product Measurements</b>	
Product Weight (KG)	20
Product Width (mm)	495
Product Height (mm)	450
Product Length (mm)	448
<b>Primary Packed Measurements</b>	
Packaged Weight	21.5
Packed Length	530
Packed Width	470
Packed Height	475



<b>General Information</b>	
Construction Material	MFC
Installation type	Floor Mounted
Colour / Finish	Davos Oak
<b>Furniture Attributes</b>	
Supplied Fully Assembled	Yes
Number Of Drawers	2
Number Of Doors	0
Soft Close Doors / Drawers	Soft Close / Pull to Open
Moisture resistant	Yes
Internal Shelves	N/A
Door Opening Width (mm)	
Draw Opening Distance (mm)	
False Draws	No
Number of False Draws	No
Can the door be swapped over to open the opposite way	N/A
Which side is the door hinge located	N/A
Compatible Furniture Part Code	Bella
Compatible Basin Part Code	BASIN011
<b>Handles</b>	
Handle Style	Pull to Open
Handle Finish	N/A
Handle Material	N/A
Number of Handles	N/A



### Dimensions

(Measurements in mm)



#### LIFETIME GUARANTEE

We are confident in our products and we want our customer to be, we proudly give a lifetime guarantee on our taps and showers. further details can be found on our website.