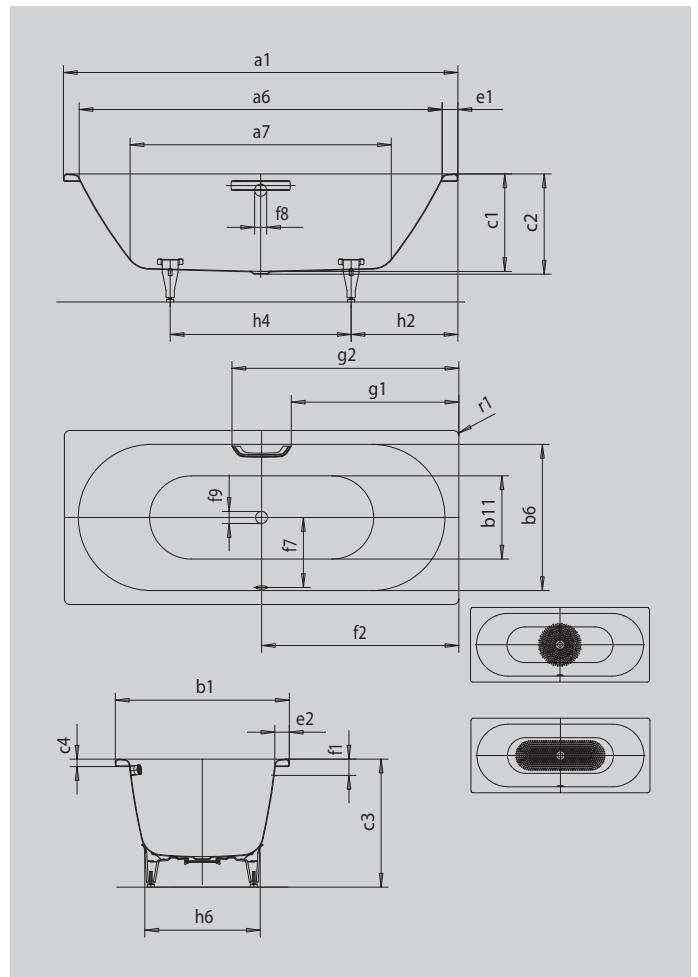


# CLASSIC DUO

- Pure simplicity and unpretentious elegance are what distinguish these baths
- Classic four-cornered model
- Bathing with a friend: two identical back rests and centrally positioned waste
- Made of KALDEWEI steel enamel



Similar illustration



## GRIP DISCREET OPULENCE



- INVISIBLE GRIP
- WHIRL
- SKIN TOUCH
- SOUND WAVE

Model		114
External length [mm]	a <sub>1</sub>	1900 mm
Internal length (top) [mm]	a <sub>6</sub>	1780 mm
Internal length (bottom) [mm]	a <sub>7</sub>	1330 mm
External width [mm]	b <sub>1</sub>	900 mm
Internal width (top) [mm]	b <sub>6</sub>	780 mm
Internal width (bottom) [mm]	b <sub>11</sub>	650 mm
Depth inside [mm]	c <sub>1</sub>	420 mm
Depth incl. waste hole [mm]	c <sub>2</sub>	430 mm
Height with feet [mm]	c <sub>3</sub>	550 - 580 mm
Height of rim [mm]	c <sub>4</sub>	32 mm
Width of rim (foot end; long side) [mm]	e <sub>1</sub> ; e <sub>2</sub>	60; 60 mm
Distance top edge to centre of overflow hole [mm]	f <sub>1</sub>	70 mm
Distance bath edge to centre of waste hole [mm]	f <sub>2</sub>	950 mm
Distance centre of waste hole to centre of overflow hole [mm]	f <sub>7</sub>	380 mm
Diameter of overflow hole [mm]	f <sub>8</sub>	Ø 52 mm
Diameter of waste hole [mm]	f <sub>9</sub>	Ø 52 mm
Distance bath edge (foot end) to start of grip [mm]	g <sub>1</sub>	822 mm
Distance bath edge (foot end) to end of grip [mm]	g <sub>2</sub>	1078 mm
Distance foot end of bath edge to centre of foot [mm]	h <sub>2</sub>	630 mm
Distance between the feet [mm]	h <sub>4</sub>	640 mm
Width of feet max. [mm]	h <sub>6</sub>	650 mm
External radius [mm]	r <sub>1</sub>	23 mm
Water volume [l]		213 l
Net weight [kg]		61 kg
Pedestal		5037
Diameter of anti-slip [mm]		Ø 435 mm
Full anti-slip		1097 x 406 mm

Subject to technical alterations, tolerances and errors. Similar illustration. 70 litres displacement on average.

**KALDEWEI**